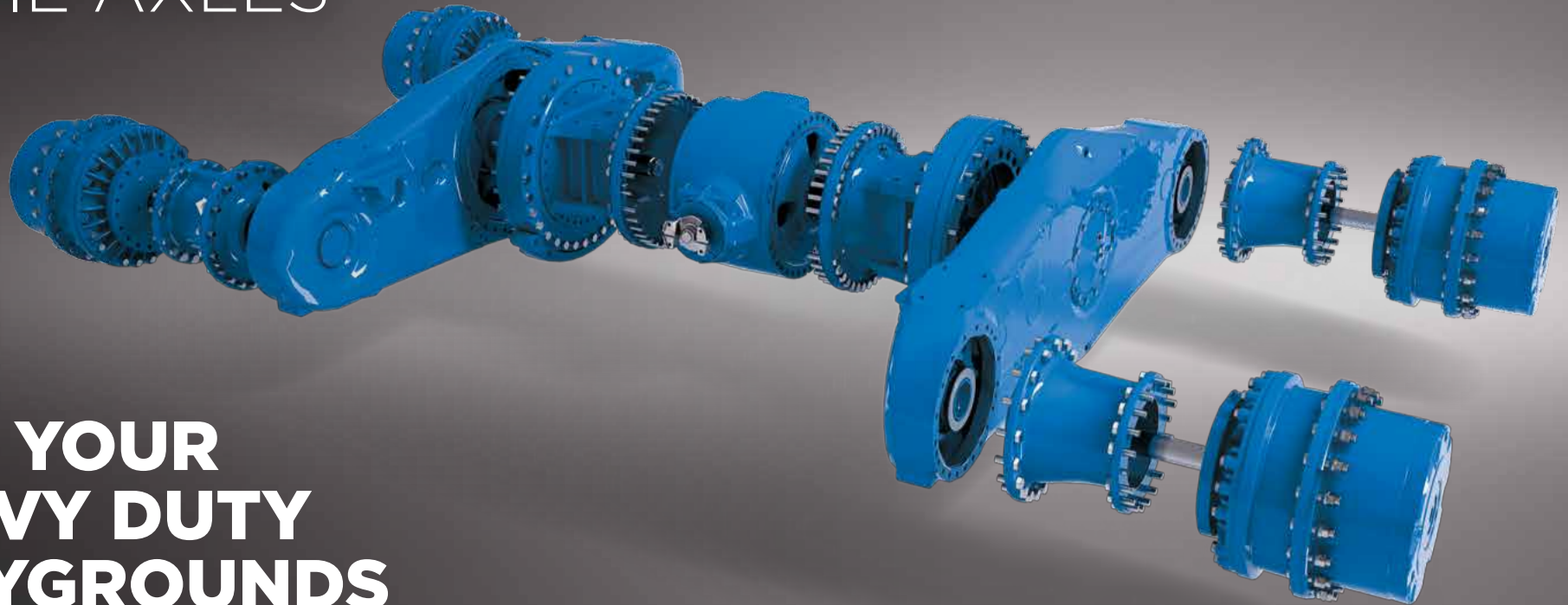


# BOGIE AXLES

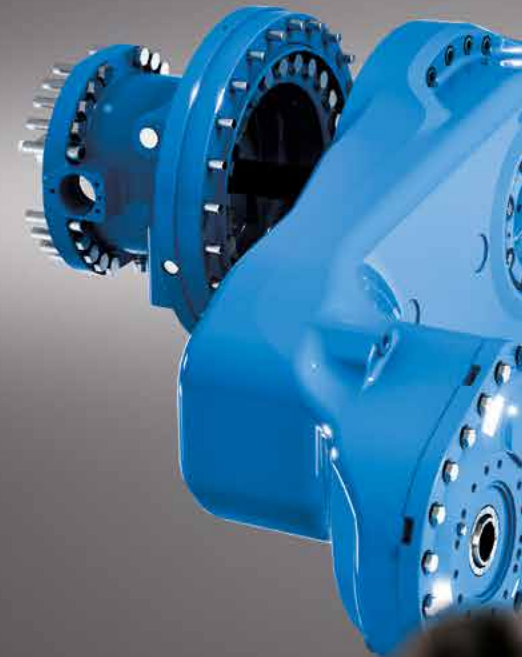


**FOR YOUR  
HEAVY DUTY  
PLAYGROUNDS**



# MODULAR-MINDED AXLES

With modular thinking, modular processes and modular product configurations, we already provide answers today for the functional, economic and logistic challenges of tomorrow.

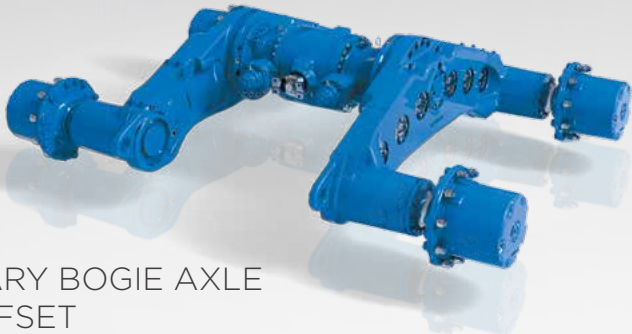


## 6 SUCCESS FACTORS FOR YOUR AUTOMOTIVE CONCEPT OF THE FUTURE:

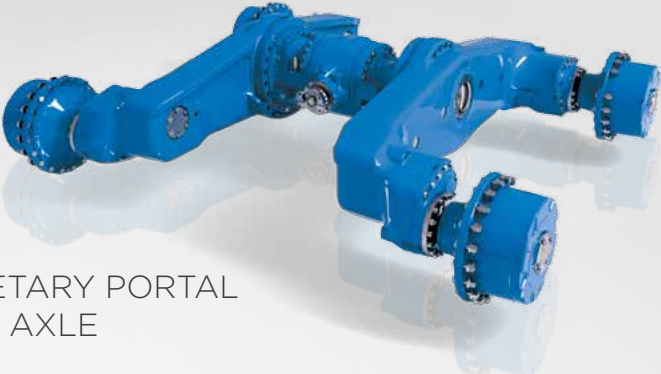
- 1 MODULAR AXLE DESIGN**  
Proven modular system for complete drive trains – comprising tried-and-tested components.
- 2 MODULAR CUSTOMISATION**  
Highly specific, quick and economical customer solutions – with modular development and implementation.
- 3 MODULAR INNOVATION**  
All new developments in our customer’s needs is directly integrated into the modular system.
- 4 MODULAR PRODUCTION**  
Fluid, customised fabrication based on the modular building block and modular procurement concept.
- 5 MODULAR REPAIR & MAINTENANCE**  
Easy repair and spare parts system – by replacing modules, lifetime costs and downtimes are minimised.
- 6 MODULAR SPIRIT**  
Corporate culture continually strives to introduce customer-specific competitive advantages.

# BOGIE AXLES FAMILY

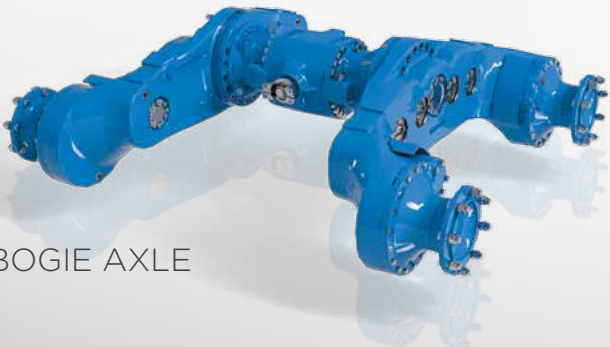
NAF'S MODULAR BOGIE AXLES COVERING THE WIDEST RANGE IN OFFROAD APPLICATIONS WITH PROVEN RELIABLE DESIGN FOR 40 YEARS.



PLANETARY BOGIE AXLE WITH OFFSET



PLANETARY PORTAL BOGIE AXLE



PORTAL BOGIE AXLE



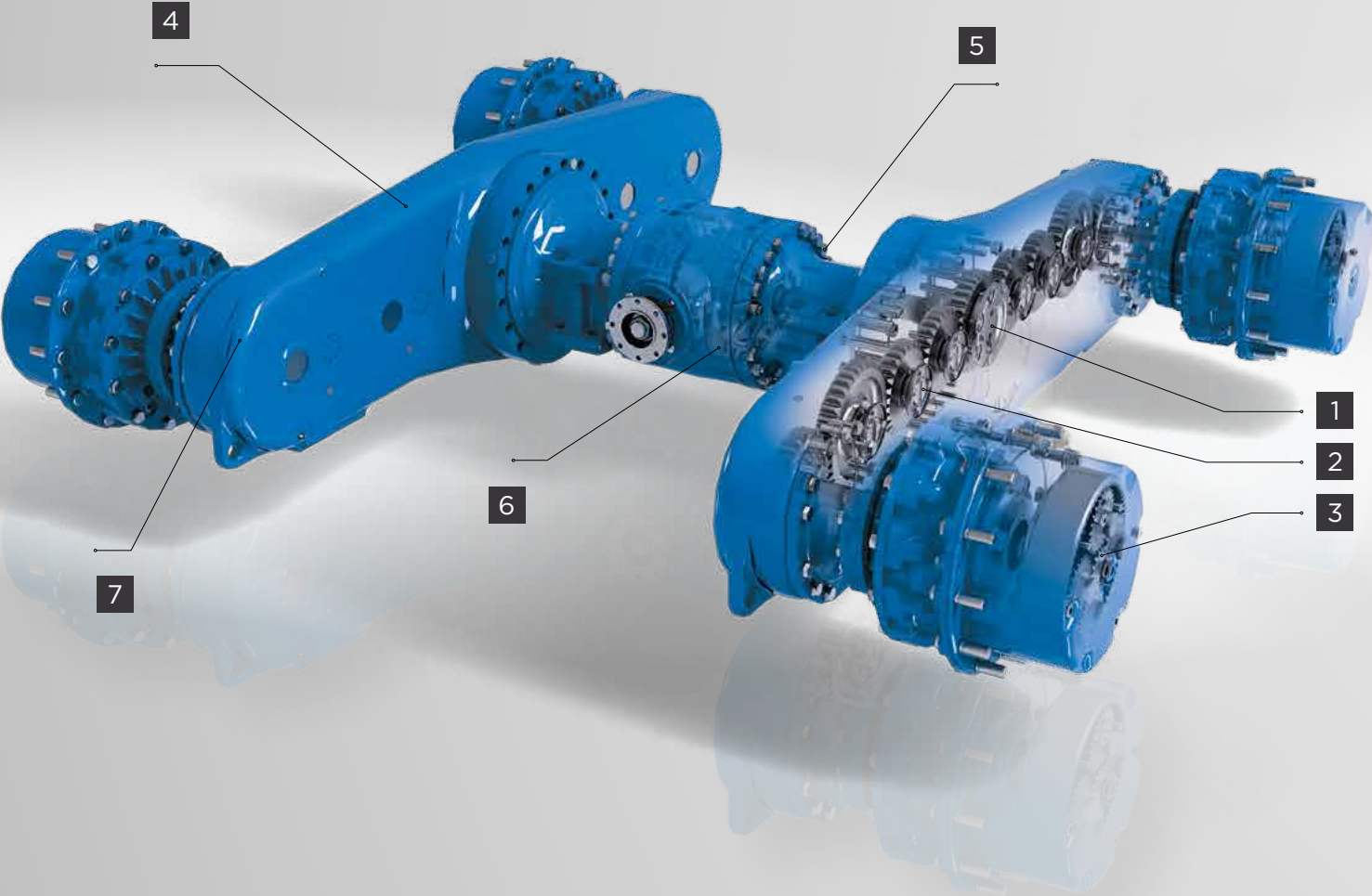
PLANETARY BOGIE AXLE



# FOR YOUR HEAVY DUTY PLAYGROUNDS

# TECHNICAL HIGHLIGHTS

IMPRESSIVE IN EVERY DETAIL. WE OFFER TECHNICALLY MATURE DRIVE SOLUTIONS FOR ANY FUNCTIONAL REQUIREMENT.



1

PERMANENT BOGIE BALANCING SYSTEM - PBBS®



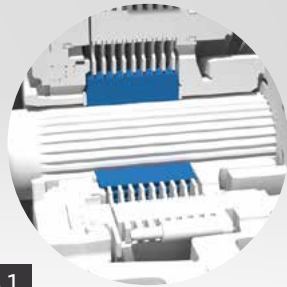
2

GEARED BOGIE



3

PATENTED SELF-COOLED  
TURBO BRAKE



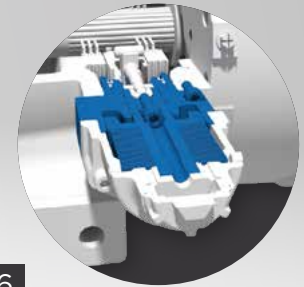
5.1

DIFFERENTIAL LOCKS  
MDDL



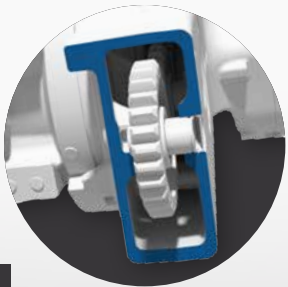
5.2

DIFFERENTIAL LOCKS  
NOSPIN®



6

BRAKE SYSTEM  
BESIDE DIFFERENTIAL



4

CAST DESIGN



5.3

DIFFERENTIAL LOCKS  
LIMITED SLIP



5.4

DIFFERENTIAL LOCKS  
DOG CLUTCH



7

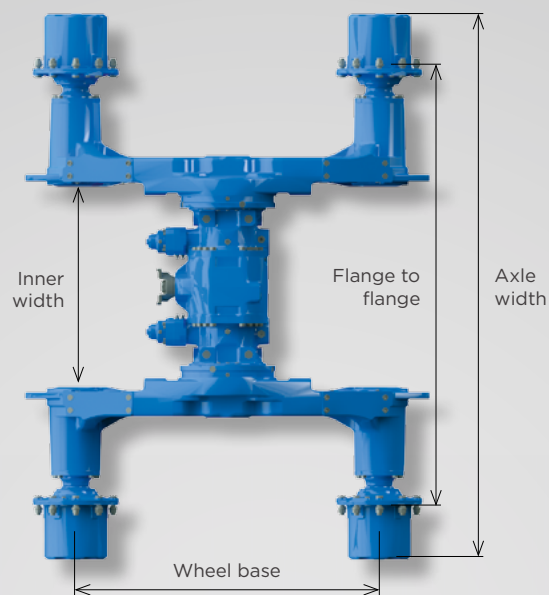
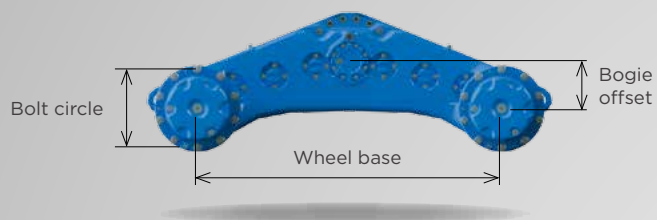
PORTAL STAGE FOR  
MAXIMUM GROUND CLEARANCE

# PLANETARY BOGIE AXLE WITH OFFSET

TYPE	TAP 54	TAP 55	TAP 75	TAP 76	TAP 77	TAP 87
Ratio	16.80 - 21.23	15.43 - 22.36	14.75 - 30.35	17.33 - 28.72	17.29 - 27.69	22.24 - 29.08
Static axle load up to [kN]	200	220	290	360	380	380
Dynamic axle load [kN]	100 - 140	150 - 170	160 - 220	255 - 300	255 - 300	300
Max. speed [kph]	40	40	40	40	40	30
Tyre sizes	22.5"	22.5" / 24.5"	25" / 26.5"	25" / 26.5" / 28.5" / 32"	25" / 26.5" / 28.5" / 32"	28.5" / 32"
Parking brake design	Inboard on differential	Inboard on differential	Inboard on differential	Inboard on differential	Inboard on differential	Inboard on differential
Service brake design	Inboard on differential	Inboard on differential	Inboard on differential / Planetary turbobrake	Inboard on differential / Planetary turbobrake	Inboard on differential / Planetary turbobrake	Inboard on differential / Planetary turbobrake
Input torque [Nm]	Max. 3500	Max. 4500	Max. 5600	Max. 6000	Max. 7500	Max. 7500
Input RPM	Max. 3400	Max. 3400	Max. 2800	Max. 3000	Max. 3000	Max. 3000
Axle width [mm]	1890 - 2335	2118 - 2378	2081 - 2798	2508 - 2884	2758 - 2862	2922 - 2966
Flange-to-flange [mm]	1450 - 1869	1860 - 2120	1860 - 2372	2130 - 2458	2380 - 2460	2468
Inner width [mm]	600 - 780	690 - 900	920 - 1030	810 - 1050	1030 - 1060	1030 - 1060
Bolt circle [mm]	335	335	425	425	425	500
Wheel base [mm]	1300	1400 - 1500	1500	1690 - 1890	1690 - 1890	1690 - 1890
Bogie offset [mm]	200	150 / 175	150	200	200	200
Drive flange	DIN / MECHANICS / SPICER / in different sizes					
Driven by	Flange / directly attached gearbox / hydrostatic or hydrodynamic driveline					
Differential locks	MDDL / NoSpin® / dog clutch / limited slip					







**PLANETARY BOGIE AXLE  
WITH OFFSET**

**Product features:**

- > The TAP axle with offset is especially designed for forestry and offroad applications
- > It can be regarded as our longstanding standard solution which is highly appreciated on the market
- > Despite the elevation it is a compact and lightweight product

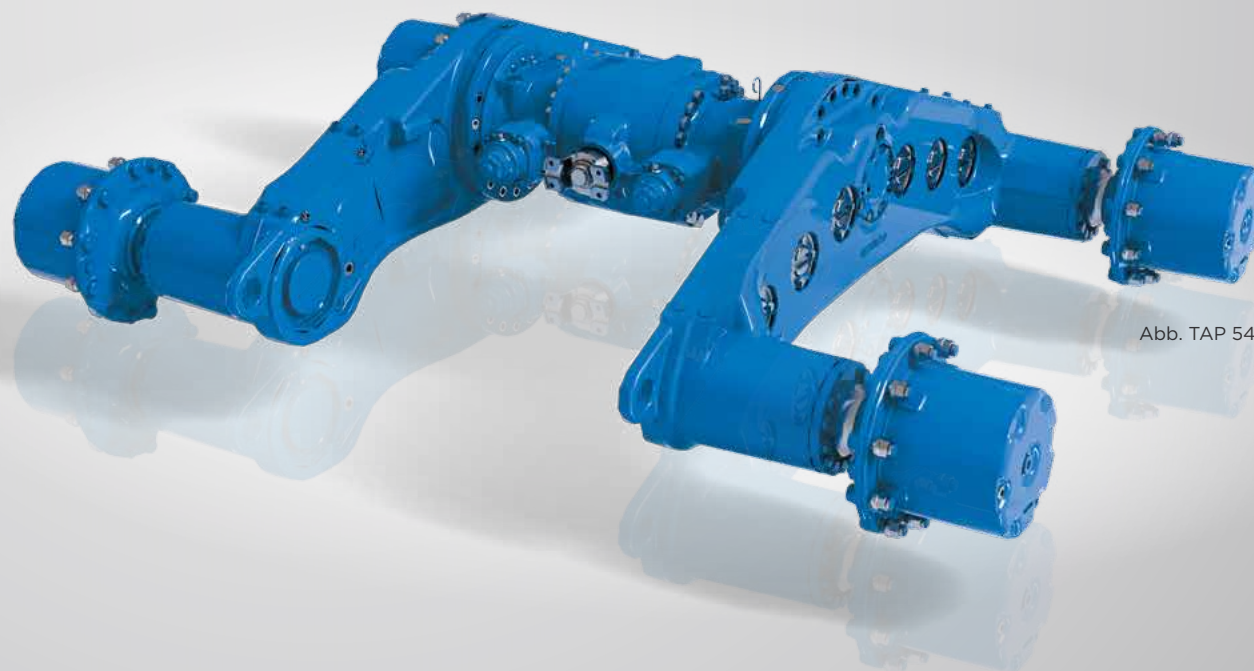


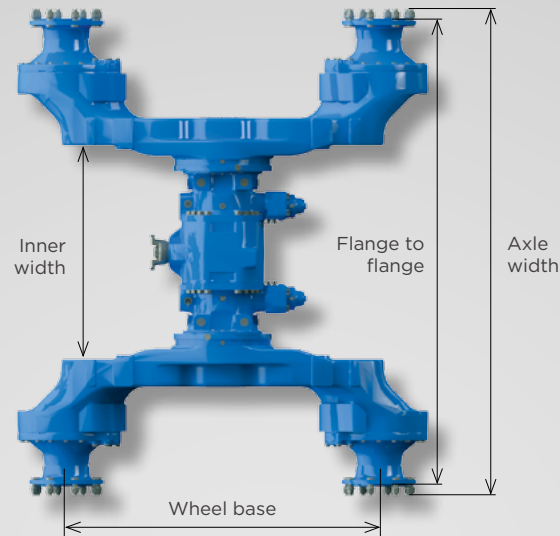
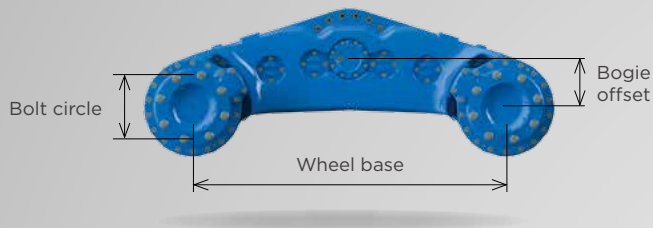
Abb. TAP 54



# PORTAL BOGIE AXLE

TYPE	PTA 44	PTA 54	PTA 55	PTA 56
Ratio	19.5 - 20.30	19.5 - 20.30	14.59 - 29.38	22.14 - 25.82
Static axle load up to [kN]	180	180	280	360
Dynamic axle load [kN]	120	120	170 - 220	230 - 255
Max. speed [kph]	30	30	30	30
Tyre sizes	22.5"	22.5"	24.5" / 25" / 26.5"	25" / 26.5"
Parking brake design	Inboard on differential	Inboard on differential	Inboard on differential	Inboard on differential
Service brake design	Inboard on differential	Inboard on differential	Inboard on differential	Inboard on differential
Input torque [Nm]	Max. 3500	Max. 3500	Max. 5200	Max. 6800
Input RPM	Max. 2800	Max. 2800	Max. 2800	Max. 2800
Axle width [mm]	1873 - 2047	1873 - 2047	2094 - 2500	2480 - 2640
Flange-to-flange [mm]	1779 - 1953	1779 - 1953	2000 - 2406	2390 - 2550
Inner width [mm]	739 - 940	739 - 940	638 - 952	960 - 1070
Bolt circle [mm]	275	335	335	335
Wheel base [mm]	1300	1300	1400 - 1520	1500 - 1640
Bogie offset [mm]	200	200	150 / 175 / 200	200
Drive flange	DIN / MECHANICS / SPICER / in different sizes			
Driven by	Flange / directly attached gearbox / hydrostatic or hydrodynamic driveline			
Differential locks	MDDL / NoSpin® / dog clutch / limited slip			





**PORTAL BOGIE AXLE**

**Product features:**

- > The PTA axle product range was especially designed for forestry and offroad applications which require a very high spread of ratio possibilities
- > The axles are designed with a portal housing for optimised ground clearance
- > Moreover, all PTA models can be equipped with the patented "Permanent Bogie Balancing System" (PBBS®)
- > PBBS® increases the tractive effort by counteracting the bogie lifting effect

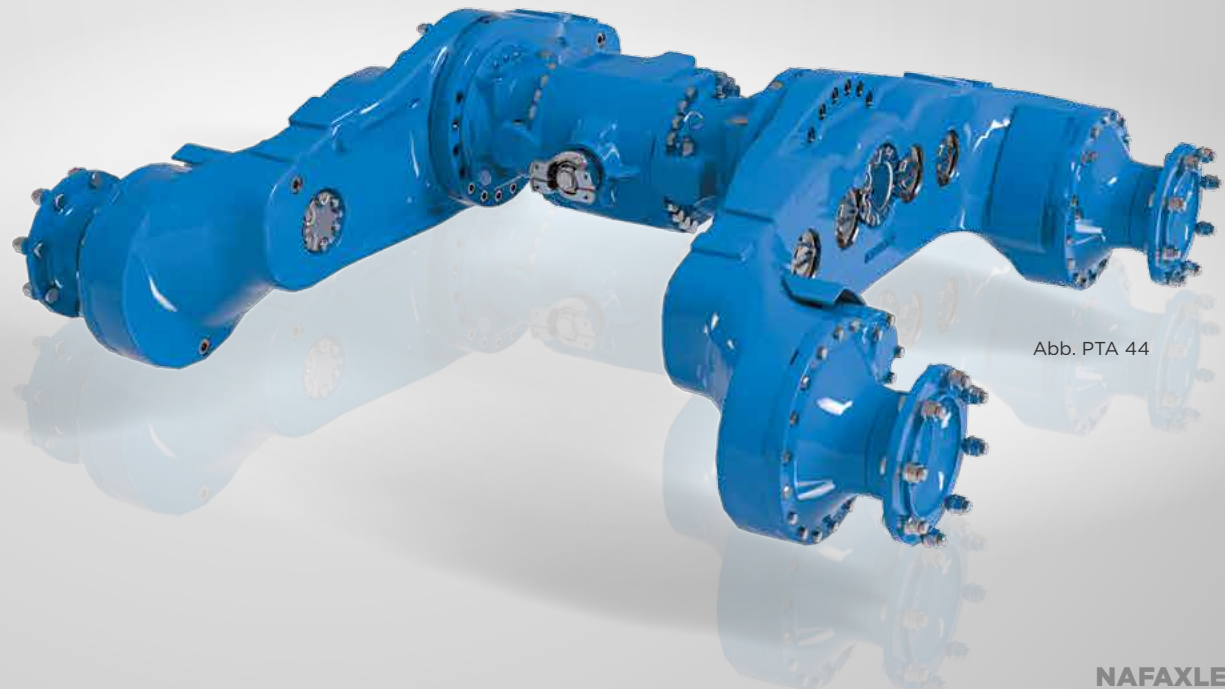


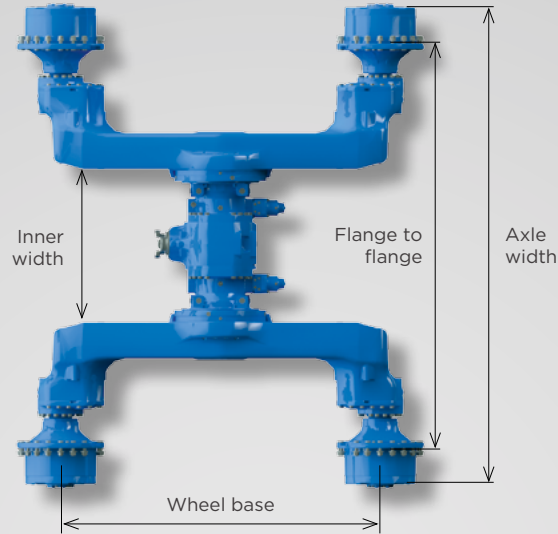
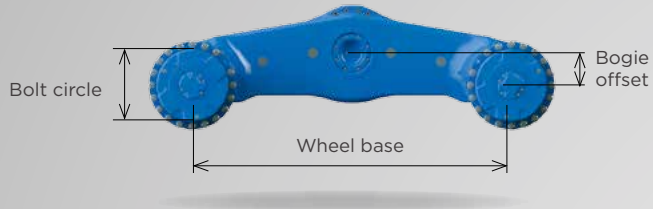
Abb. PTA 44



# PLANETARY PORTAL BOGIE AXLE

TYPE	PTA 75	PTA 76	PTA 77	PTA 87
Ratio	17.17 - 32.53	22.21 - 36.70	21.24 - 35.87	27.44 - 35.68
Static axle load up to [kN]	290	360	360	360
Dynamic axle load [kN]	220 - 240	200 - 290	300	280 - 300
Max. speed [kph]	30	25	27	25
Tyre sizes	26.5"	26,5" / 28.5" / 30.5"	26,5" / 28.5" / 30.5"	28,5" / 30,5" / 32"
Parking brake design	Inboard on differential	Inboard on differential	Inboard on differential	Inboard on differential
Service brake design	Inboard on differential	Inboard on differential	Inboard on differential	Inboard on differential
Input torque [Nm]	Max. 5200	Max. 6000	Max. 7000	Max. 7000
Input RPM	Max. 2800	Max. 2800	Max. 2600	Max. 2700
Axle width [mm]	2900 - 3160	2560 - 2896	2852	2964 - 3016
Flange-to-flange [mm]	2266 - 2300	2304 - 2450	2450	2510 - 2518
Inner width [mm]	958 - 1032	1022 - 1070	1070	1070 - 1082
Bolt circle [mm]	425	425	425	500
Wheel base [mm]	1500 - 1520	1520 - 1640	1720 - 1640	1640 - 1980
Bogie offset [mm]	150 / 200	200	200 / 230	200
Drive flange	DIN / MECHANICS / SPICER / in different sizes			
Driven by	Flange / directly attached gearbox / hydrostatic or hydrodynamic driveline			
Differential locks	MDDL / NoSpin® / dog clutch / limited slip			





## PLANETARY PORTAL BOGIE AXLE

### Product features:

- > The PTA axle product range was especially designed for forestry and offroad applications which require a very high spread of ratio possibilities
- > The axles are designed with a portal housing for optimised ground clearance
- > Additionally equipped with a planetary drive on the wheel ends, these axles provide deeper ratio and higher torque than standard bogie axles
- > Moreover, all PTA models can be equipped with the patented "Permanent Bogie Balancing System" (PBBS®)
- > PBBS® increases the tractive effort by counteracting the boogie lifting effect

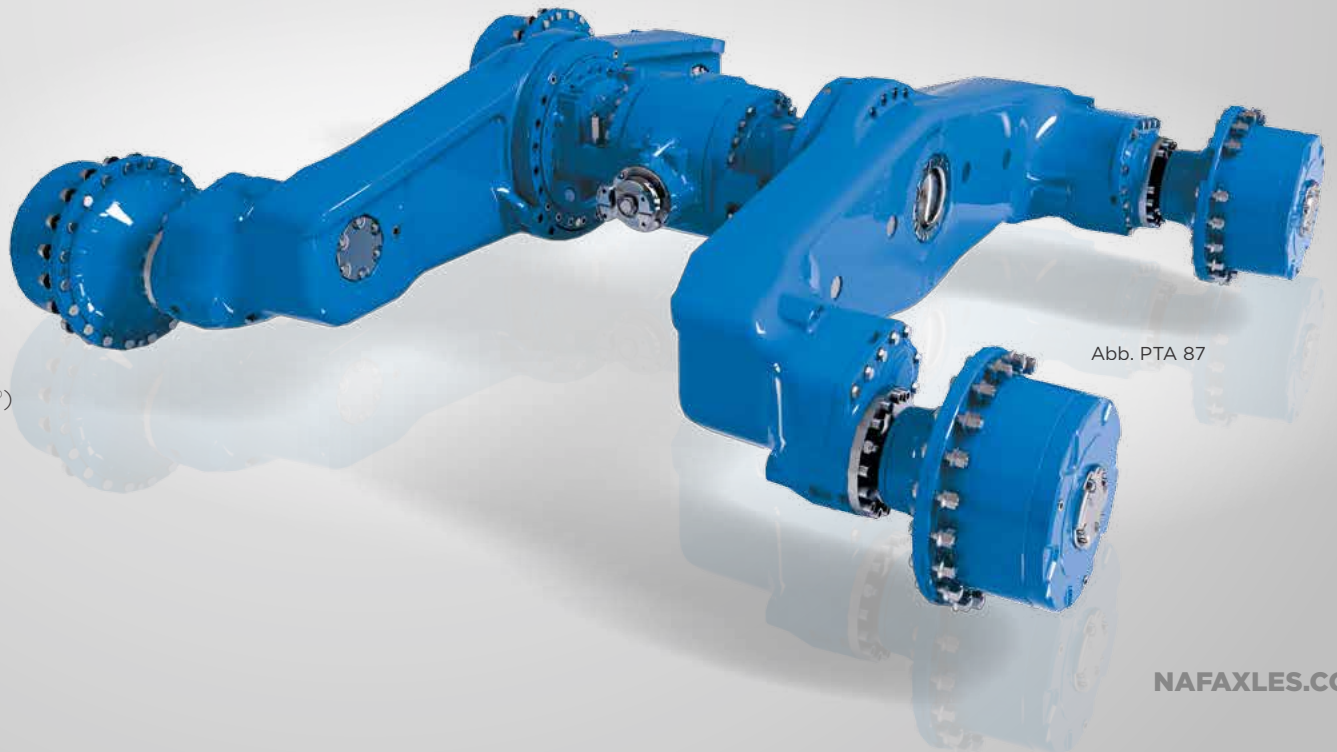


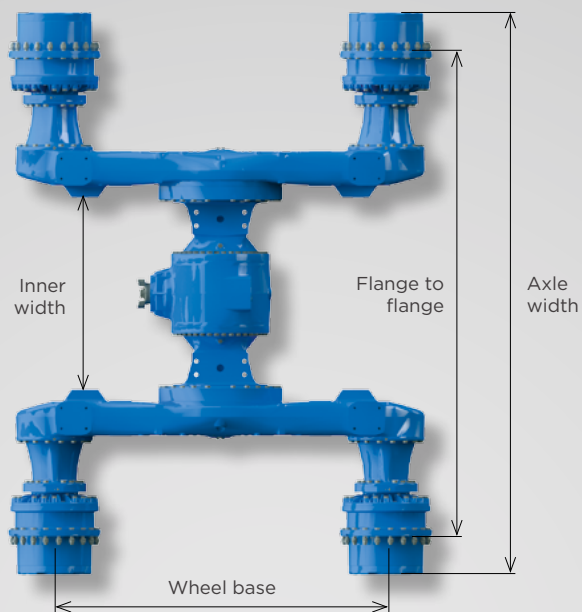
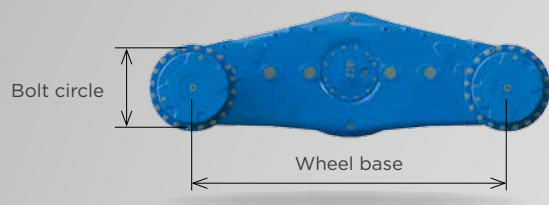
Abb. PTA 87



# PLANETARY BOGIE AXLE

TYPE	TAP 55	TAP 75	TAP 76	TAP 77	TAP 78	TAP 87	TAP 89
Ratio	16.73 - 21.07	18.53 - 24.1	17.48 - 23.01	19.623 - 20.1	19.74	21.8	19.38 - 21.8
Static axle load up to [kN]	220	260	360	420	420	460	510
Dynamic axle load [kN]	110	130	255	345	345	464	484
Max. speed [kph]	45	45	50	55	55	60	58
Tyre sizes	24" / 25"	24" / 25"	24" / 25" / 30.5"	25" / 30"	25" / 30"	25" / 30"	25" / 29"
Parking brake design	Inboard on differential	Inboard on differential	Inboard on differential	Available on request	Available on request	Available on request	Available on request
Service brake design	Inboard on differential Planetary brake	Inboard on differential Planetary brake	Inboard on differential Planetary turbobrake	Inboard on differential Planetary turbobrake	Inboard on differential Planetary turbobrake	Inboard on differential Planetary turbobrake	Inboard on differential Planetary turbobrake
Input torque [Nm]	Max. 3900	Max. 4500	Max. 5300	Max. 5700	Max. 7500	Max. 9000	Max. 12200
Input RPM	Max. 3500	Max. 3500	Max. 3900	Max. 3900	Max. 3900	Max. 3500	Max. 3300
Axle width [mm]	2342 - 2420	2402	2420 - 2756	2668 - 2908	2892	3132	3176 - 3368
Flange-to-flange [mm]	1920 - 1980	2024	2042 - 2330	2250 - 2490	2490	2678	2678 - 2870
Inner width [mm]	1180	1180	1056 - 1198	860	1340	1416	1136 - 1406
Bolt circle [mm]	335	425	425	425	425	500	500
Wheel base [mm]	1540	1540	1540 - 1632	1771	1771	1960	1960
Drive flange	DIN / MECHANICS / SPICER / in different sizes						
Driven by	Flange / directly attached gearbox / hydrostatic or hydrodynamic driveline						
Differential locks	MDDL / NoSpin® / dog clutch / limited slip						





## PLANETARY BOGIE AXLES

### Product features:

- > The TAP axles without bogie offset is especially designed for the use in construction machinery
- > It can be regarded as our longstanding standard solution which is highly appreciated on the market

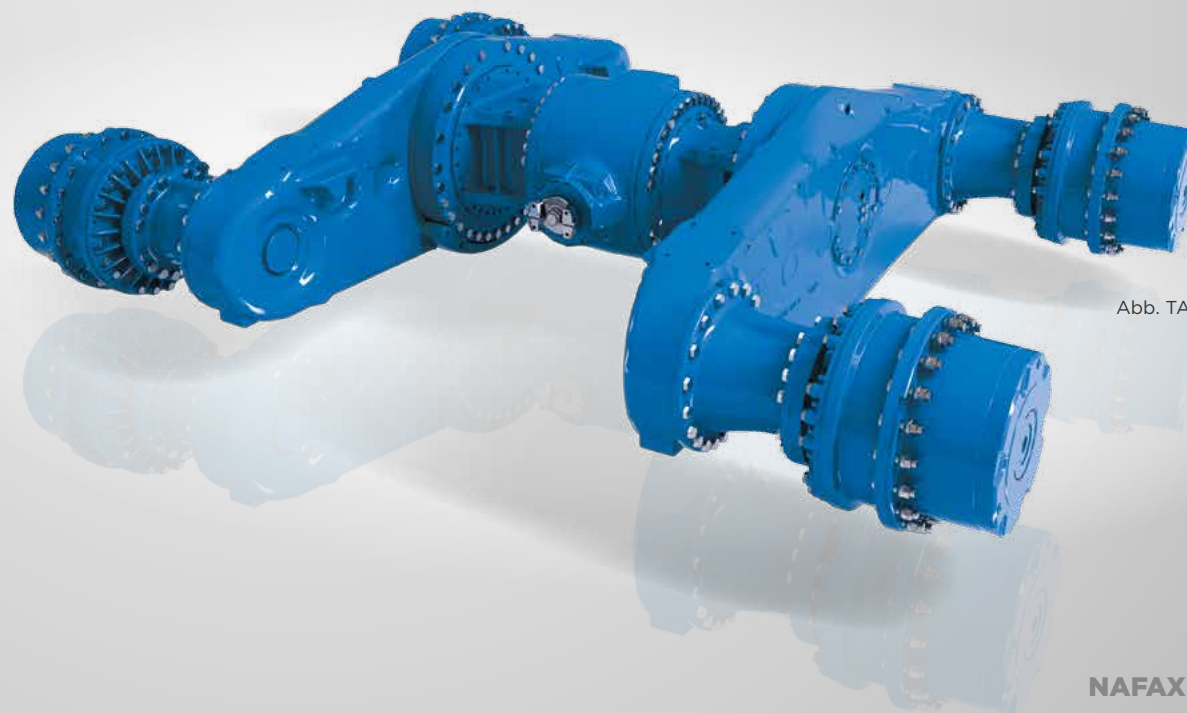
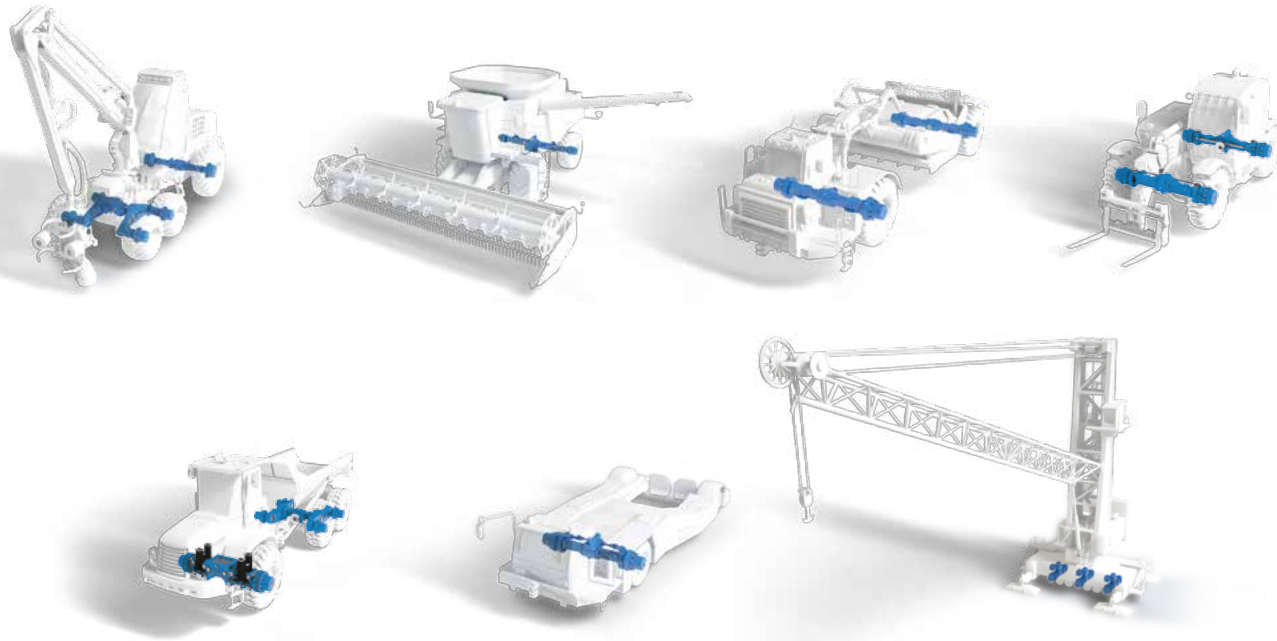


Abb. TAP 89



# FOR YOUR HEAVY DUTY PLAYGROUNDS

As the leading market manufacturer of drive trains for self-propelled forestry machines, NAF has been tackling a wide variety of the most extreme deployment conditions for many decades. The modular system, which has evolved from this set of requirements, covers the individual assignments that need to be met by heavy-duty vehicle manufacturers across many different sectors. With this passion, which made us the market leader for drives in forestry machines, we create your individual drive solutions.





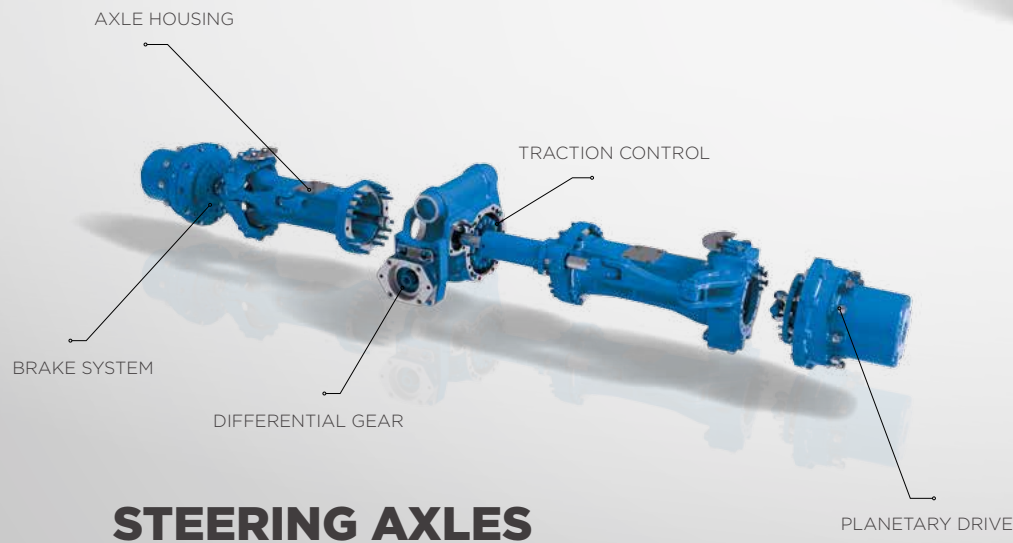


# FOR YOUR HEAVY DUTY PLAYGROUNDS

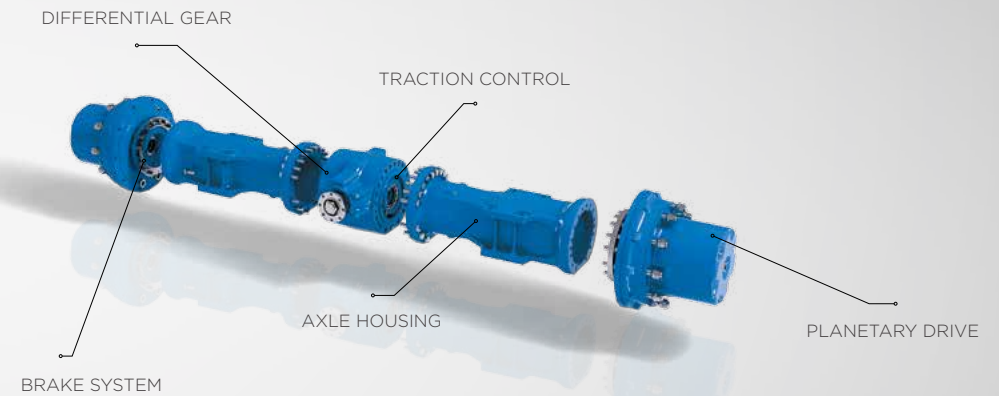
NAF's drive solutions are modelled for their special use and application. Our modular designs and the experience from more than 581 projects are the basis to satisfy your requirements in the most efficient way. We are pleased to present our comprehensive product portfolio!



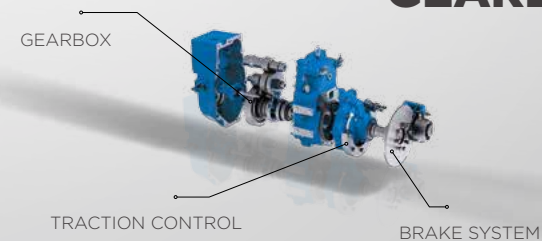
## RIGID AXLES

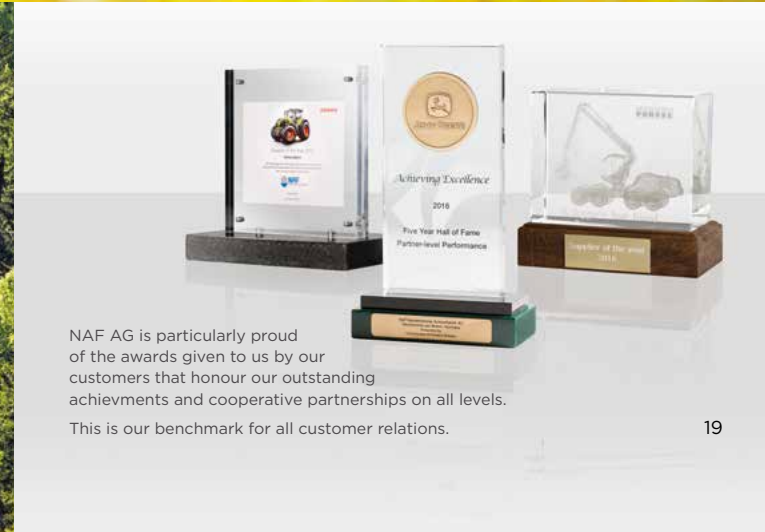


## STEERING AXLES



## GEARBOXES





NAF AG is particularly proud of the awards given to us by our customers that honour our outstanding achievements and cooperative partnerships on all levels. This is our benchmark for all customer relations.

NAF is the expert for power transmission, traction and load capacity on mobile working machines. Our gears and axles create a substantial competitive advantage in the heavy-duty off-highway industry. As a system partner we have been mastering the tasks of our market-leading customers since 1960 and invest 5% of our annual turnover into research and development.

As our customer you benefit directly from our passion for innovation that guarantees your success.



# AT HOME ON 3 CONTINENTS



**46**

Supplied countries worldwide

**500**

Employees in total

**30.000 m<sup>2</sup>**

of production space in 17 halls

**38.000**

Components sold each year

**14**

Patents and  
protected innovations

**35**

Employees working in  
R&D/PDP

## Headquarters and production

NAF Neunkirchener Achsenfabrik AG  
Weyhausenstrasse 2  
91077 Neunkirchen am Brand  
Germany  
T: +49 9134 702-0  
F: +49 9134 702-640  
info@nafaxles.com

For more information about our  
branches in North America, France,  
Germany (HQ), Russia & China visit:



NAF • MODULAR-MINDED AXLES

NAFAXLES.COM